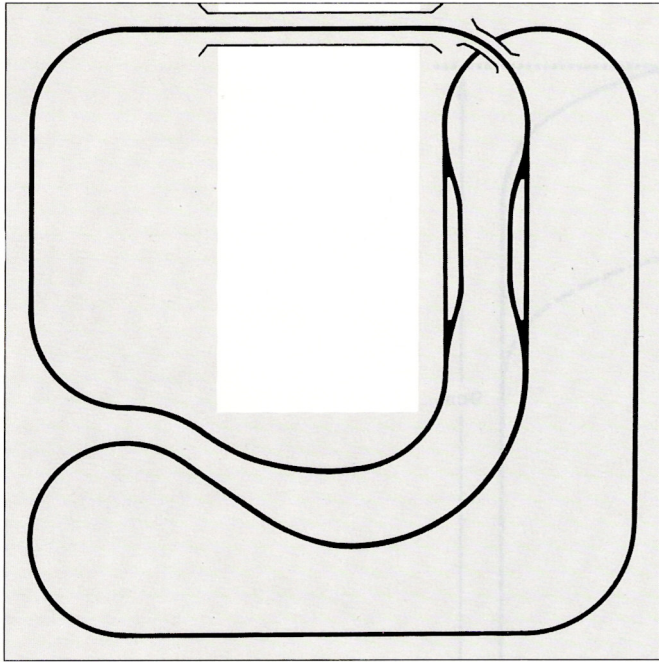
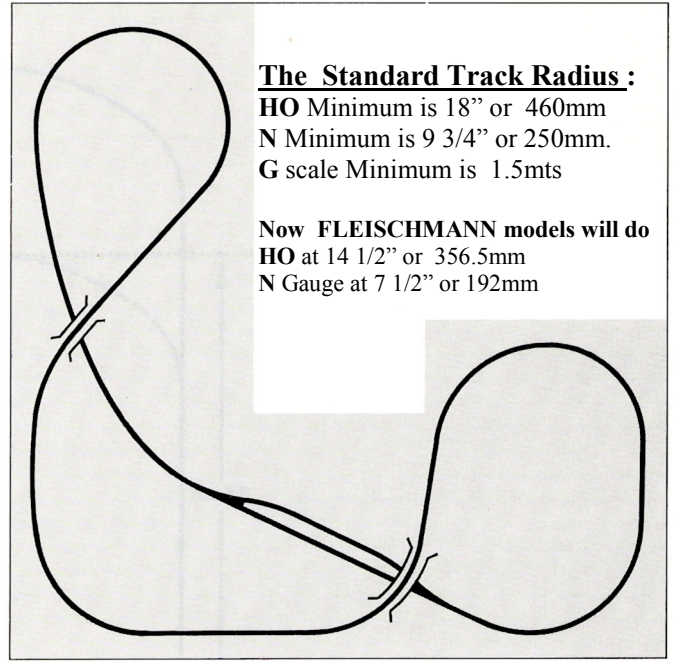


ALL ABOARD BRAEMAR MODEL RAILWAYS



3.2.10



3.2.11

The Standard Track Radius :

HO Minimum is 18" or 460mm

N Minimum is 9 3/4" or 250mm.

G scale Minimum is 1.5mts

Now FLEISCHMANN models will do

HO at 14 1/2" or 356.5mm

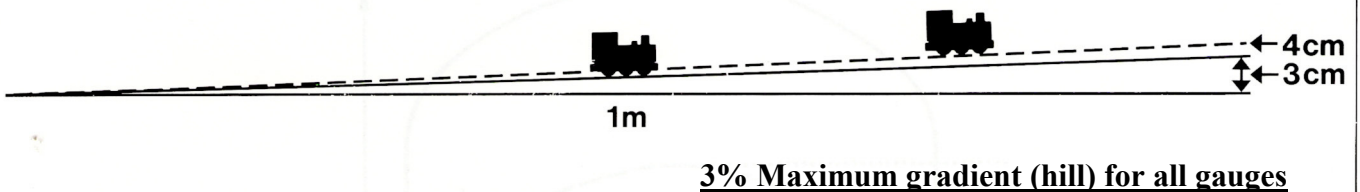
N Gauge at 7 1/2" or 192mm

Measuring grades % $S = (H/L) \times 100$

S is the grade in percent

H is the change in height between the bottom and top of the grade.

L is the length of the grade.



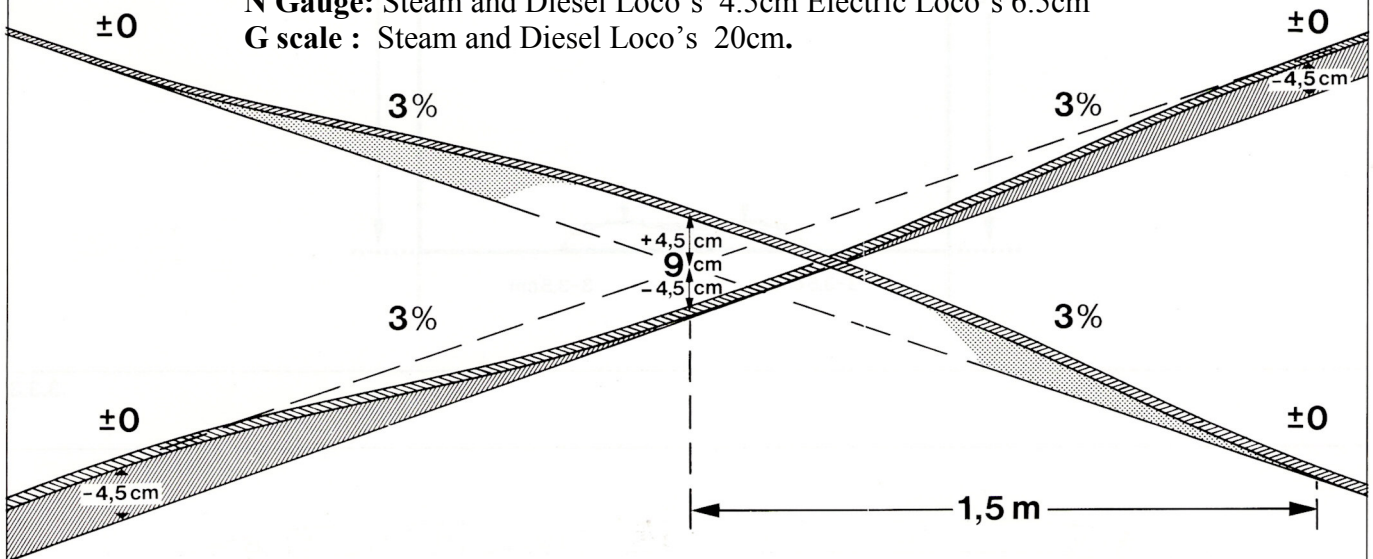
3.3.1

Tunnel Heights: Measure from top of rail head (All brands)

HO/OO : Steam and Diesel Loco's 6cm Electric Loco's 9cm

N Gauge: Steam and Diesel Loco's 4.5cm Electric Loco's 6.5cm

G scale : Steam and Diesel Loco's 20cm.



Phone 02/48712966 fax 02/48721183 www.allboardexclusive.com.au

3.3.2